

This is the Revision B version of the IRProximity2 module. The status of this project is work in progress.

# IRProximity2 Module (Revision B)

## Table of Contents

This document is also available in PDF format.

- 1. Introduction
- 2. Programming
- 3. Hardware
  - ◆ 3.1 Circuit Schematic
  - ◆ 3.2 Printed Circuit Board
- 4. Software
- 5. Issues

## 1. Introduction

The IRProximity2 module provides the ability to ...

## 2. Programming

There is no programming specification yet.

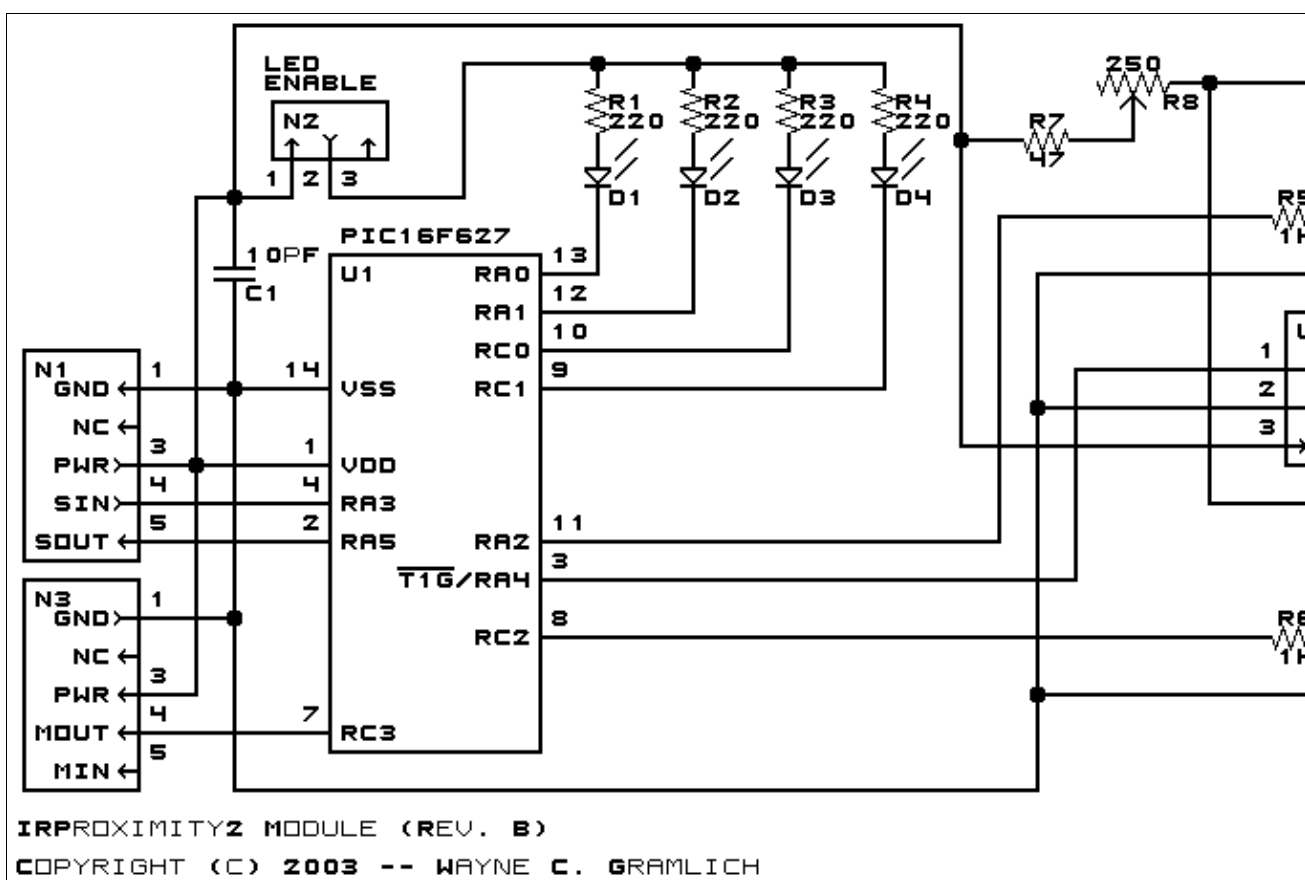
## 3. Hardware

The hardware consists of a circuit schematic and a printed circuit board.

### 3.1 Circuit Schematic

The schematic for the IRProximity2 module is shown below:

## IRProximity2 Module (Revision B)



The parts list kept in a separate file --- [irproximity2.ptl](#).

### 3.2 Printed Circuit Board

The printed circuit board files are listed below:

[irproximity2\\_back.png](#)

The solder side layer.

[irproximity2\\_front.png](#)

The component side layer.

[irproximity2\\_artwork.png](#)

The artwork layer.

[irproximity2.gbl](#)

The RS-274X "Gerber" back (solder side) layer.

[irproximity2.gtl](#)

The RS-274X "Gerber" top (component side) layer.

[irproximity2.gal](#)

The RS-274X "Gerber" artwork layer.

[irproximity2.drl](#)

The "Excellon" NC drill file.

[irproximity2.tol](#)

The "Excellon" tool rack file.

## 4. Software

There is no software available yet.

## 5. Issues

Any fabrication issues are listed here.

---

Copyright (c) 2000–2004 by Wayne C. Gramlich. All rights reserved.