

This is the Revision A version of the [ProtoPIC8Pin RoboBrick](#). The status of this project is [replaced](#) by the [ProtoPic RoboBrick](#).

# ProtoPIC8Pin Robobrick (Revision A)

## Table of Contents

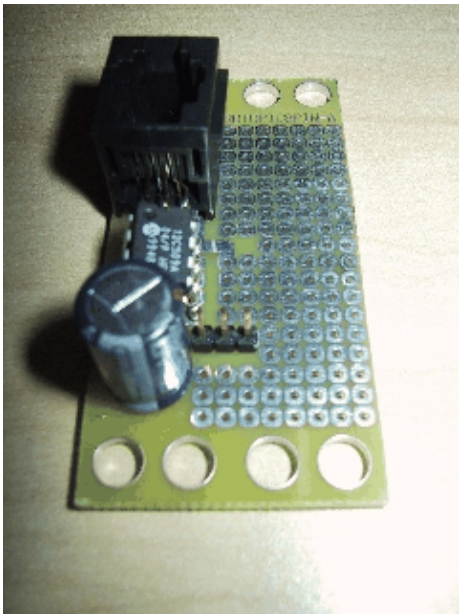
This document is also available as a [PDF](#) document.

- [1. Introduction](#)
- [2. Hardware](#)
  - ◆ [2.1 Circuit Schematic](#)
  - ◆ [2.2 Printed Circuit Board](#)
- [3. Issues](#)

## 1. Introduction

The ProtoPIC8Pin RoboBrick is a RoboBrick with a socket for an 8-pin PIC (either a PIC12C519 or a PIC12C672, or equivalent) and the RJ11 jack. The rest of the board has plated through holes on a .1 inch grid for attaching other components. A jumper selects whether the SIN pin is attached to GP3 or GP4.

A picture of a ProtoPIC8Pin is shown below:

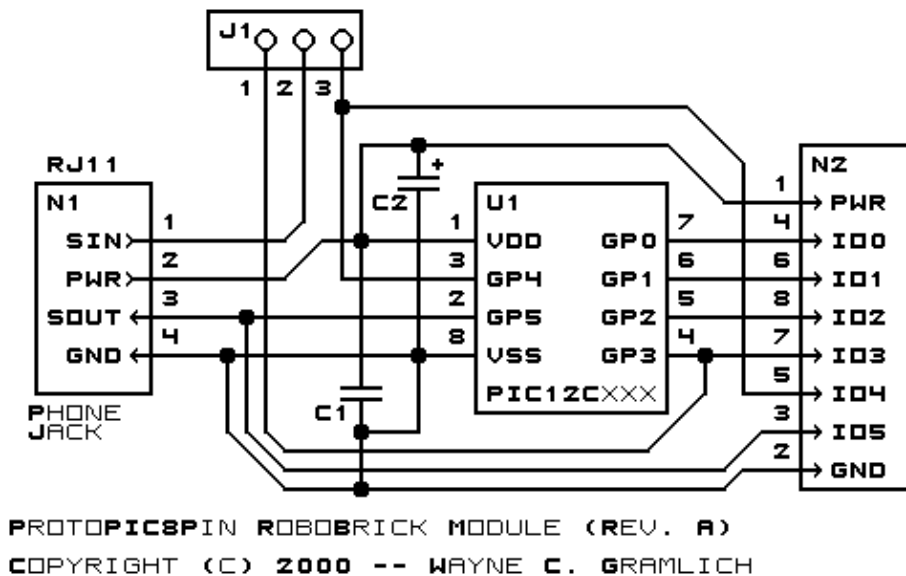


## 2. Hardware

The hardware consists of a circuit schematic and a printed circuit board.

## 2.1 Circuit Schematic

The schematic for the Protopic8pin RoboBrick is shown below:



The parts list kept in a separate file -- [protopic8pin.ptl](#).

## 2.2 Printed Circuit Board

The printed circuit files are listed below:

[protopic8pin\\_back.png](#)

The solder side layer.

[protopic8pin\\_front.png](#)

The component side layer.

[protopic8pin\\_artwork.png](#)

The artwork layer.

[protopic8pin.gbl](#)

The RS-274X "Gerber" back (solder side) layer.

[protopic8pin.gtl](#)

The RS-274X "Gerber" top (component side) layer.

[protopic8pin.gal](#)

The RS-274X "Gerber" artwork layer.

[protopic8pin.drl](#)

The "Excellon" NC drill file.

[protopic8pin.tol](#)

The "Excellon" tool rack file.

## 3. Issues

After the boards have been manufactured, assembled, and tests, there are usually a number of issues that come and need to be recorded. This section of the document is reserved for thoses issues.

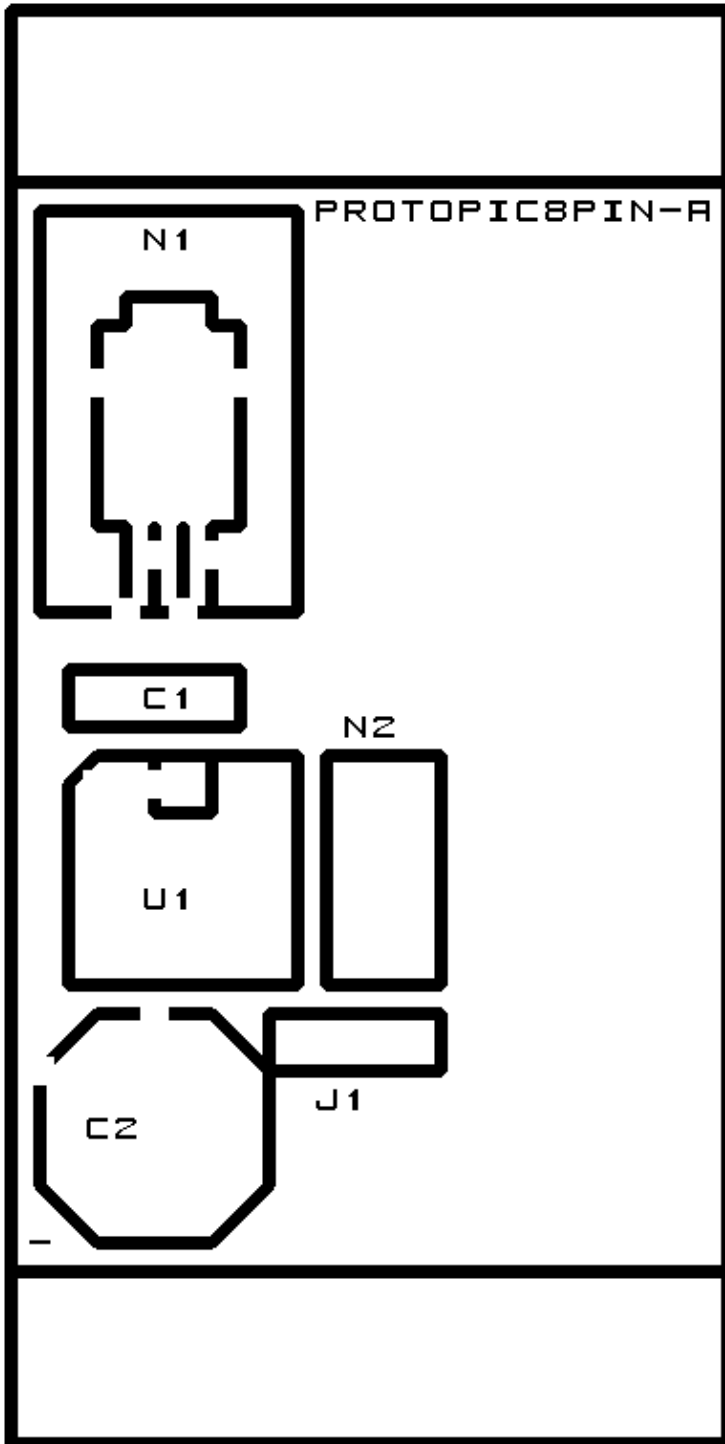
Copyright (c) 2000–2002 by Wayne C. Gramlich. All rights reserved.



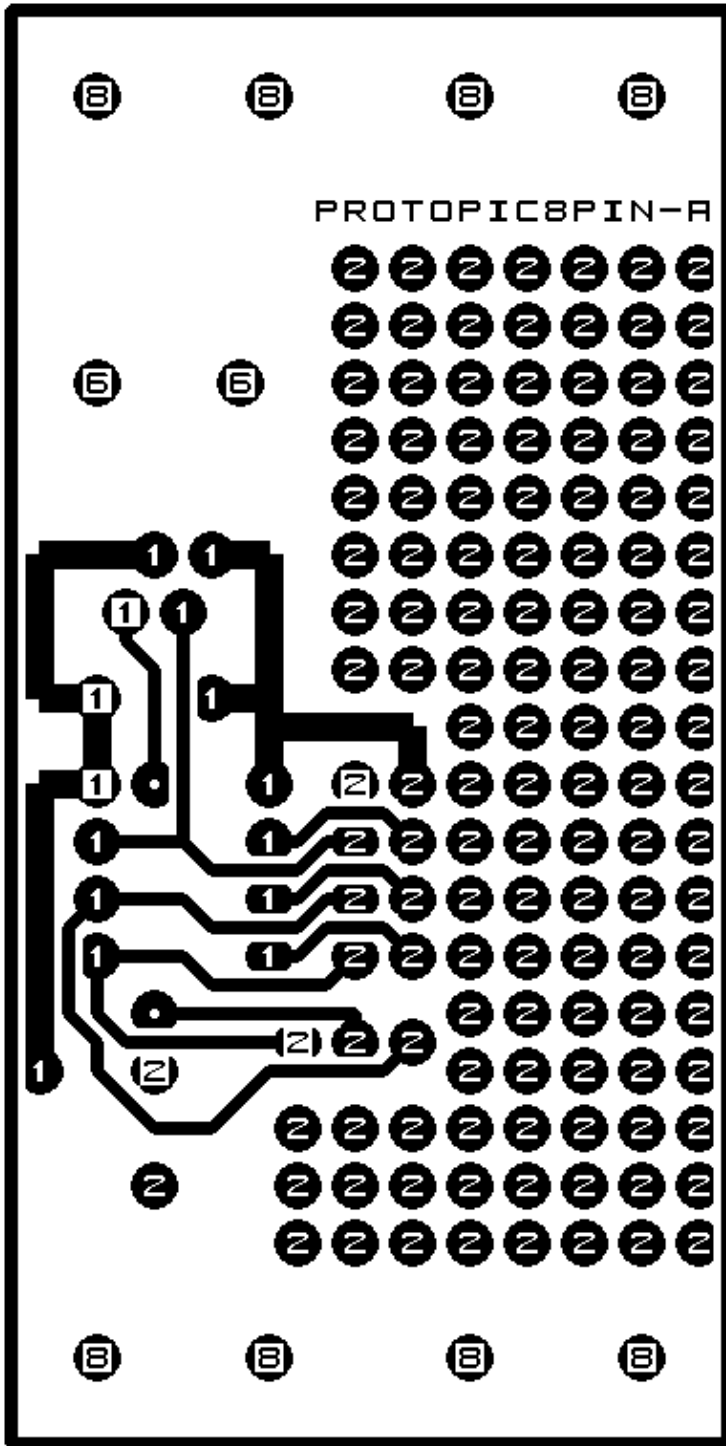
## A. Appendix A: Parts List

```
# Parts list for ProtoPIC8Pin RoboBrick (Rev. A)
#
C1: Capacitor10pF - 10 pF Ceramic Capacitor [Jameco: 15333]
C2: Capacitor2200uF - 2200 uF Electrolytic Capacitor [Jameco: 133145]
J1: Header1x3.ProtoPIC8Pin - 1x3 Male Header [3/40 Jameco: 160881]
N1: RJ11Female4_4.RBSlave - Female RJ11 (4-4) Phone Jack [Digikey: A9071-ND]
N2: Header2x4.ProtoPIC8Pin - 2x4 Male Header [8/80 Jameco: 117196]
U1: PIC12C509.ProtoPIC8Pin - MicroChip PIC12C509 [Digikey: PIC12C509A-04/P-ND]
```

## B. Appendix B: Artwork Layer



### C. Appendix C: Back (Solder Side) Layer



### D. Appendix D: Front (Component Side) Layer

