

This is the Revision B version of the Rotation2 module. The status of this project is work in progress.

# Rotation2 Module (Revision C)

## Table of Contents

This document is also available as a PDF document.

- 1. Introduction
- 2. Programming
- 3. Hardware
  - ◆ 3.1 Circuit Schematic
  - ◆ 3.2 Printed Circuit Board
- 4. Software
- 5. Issues

## 1. Introduction

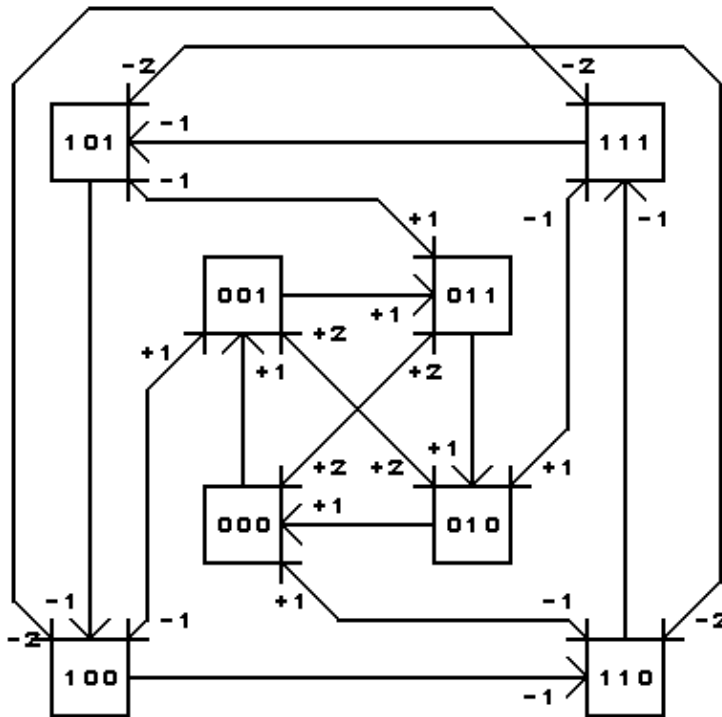
The Rotation2 Module can keep track of the quadrature encoding of 2 shaft encoders.

## 2. Programming

For quadrature encoding, two sensors are used to sense the shaft position. The sensors are positioned 90 degrees out of phase with one another so that the two sensors generate states of the form 00 – 01 – 11 – 10 – 00 ... in the clockwise direction and 00 – 10 – 11 – 01 – 00 ... in the counter-clockwise direction. Each time the state transitions clockwise, a 16-bit counter is incremented; conversely, each transition in the counter-clockwise direction decrements the 16-bit counter.

The Rotation2 Modules actually use an eight state transition diagram as shown below:

Rotation2 Module (Revision C)



SHAFT2 ROBOBRICK STATE TRANSITION DIAGRAM  
 COPYRIGHT (C) 2001 -- WAYNE C. GRAMLICH

The first bit is the direction (1=counter-clockwise and 0=clockwise.) The next two bits are the sensor bits. By keeping track of the direction bit as part of the state transition diagram, it is possible to do something intelligent if somehow the shaft is spinning so fast that it skips a state (e.g. 00 - 11 or 01 - 10.) In this case, the direction bit is used to determine whether to increment or decrement the counter by 2.

There are two shafts named shaft 0 and shaft 1. There is an unsigned sixteen bit counter associated with each shaft. Each shaft has both a 16-bit low and a 16-bit high threshold register used for generating interrupts. The interrupt pending bit is set whenever the shaft counter exceeds the range specified by the 16-bit high and low counters. The interrupt pending flag is computed as follows:

$$I = S_0 < L_0 \mid S_0 > H_0 \mid S_1 < L_1 \mid S_1 > H_1$$

where

- $S_n$  is the shaft  $n$  counter value,
- $L_n$  is the shaft  $n$  low threshold value,
- $H_n$  is the shaft  $n$  high threshold value,

Please note that there is no way to individually enable interrupts just for a specific shaft; either both shafts are enabled or neither shaft is enabled.

## Rotation2 Module (Revision C)

In addition to the common shared commands and the interrupt protocol, the Rotation2 Module supports the commands summarized in the table below:

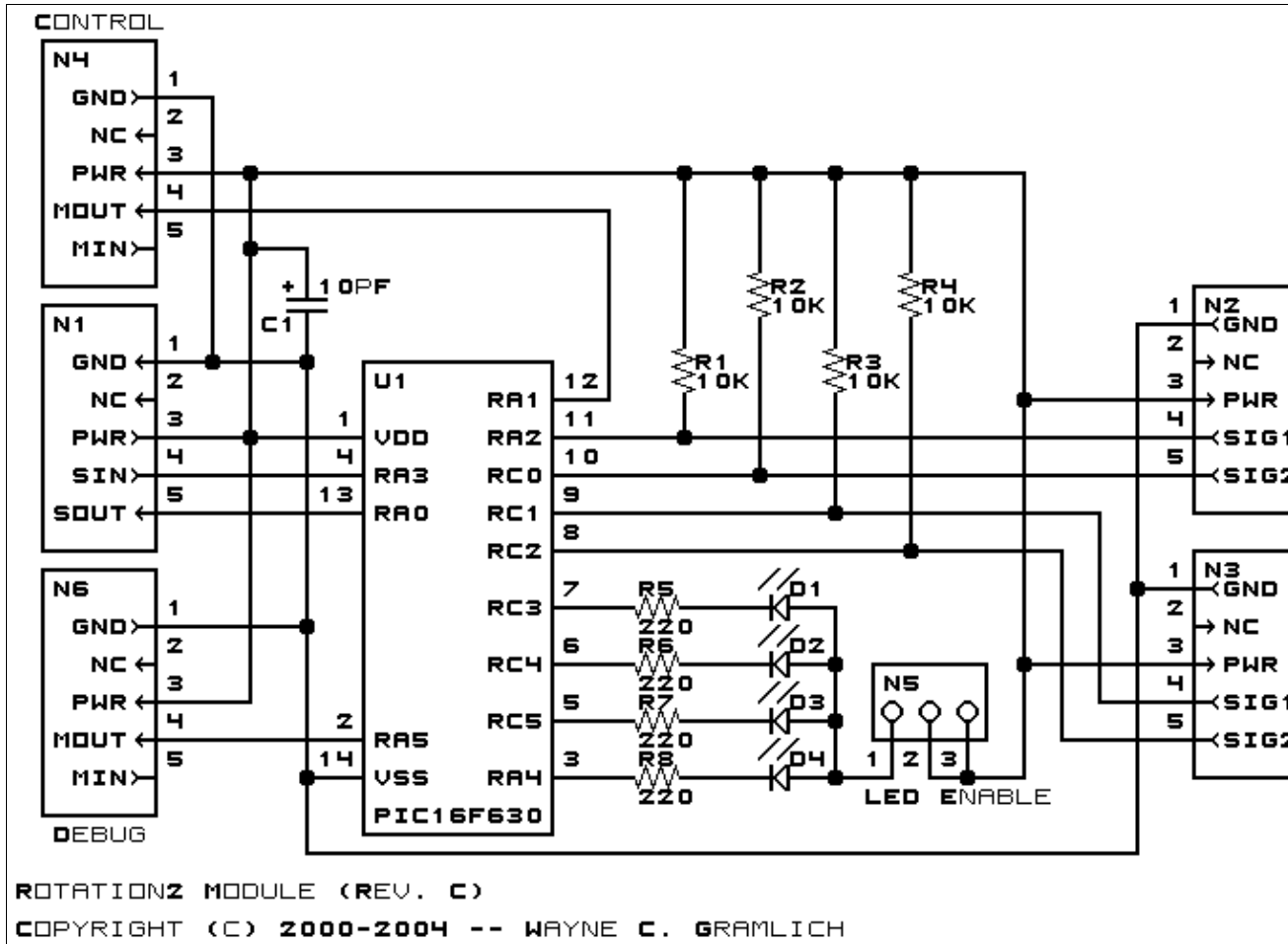
Command	Send/ Receive	Byte Value								Discussion
		7	6	5	4	3	2	1	0	
Read Shaft	Send	0	0	0	0	0	0	0	<i>s</i>	Read shaft <i>s</i> and respond with 16-bit counter value <i>hhhhhhhh llllll</i>
	Receive	<i>h</i>	<i>h</i>	<i>h</i>	<i>h</i>	<i>h</i>	<i>h</i>	<i>h</i>	<i>h</i>	
	Receive	<i>l</i>	<i>l</i>	<i>l</i>	<i>l</i>	<i>l</i>	<i>l</i>	<i>l</i>	<i>l</i>	
Read Shaft Low	Send	0	0	0	0	0	0	1	<i>s</i>	Return low order 8-bits <i>lllllll</i> of shaft <i>s</i>
	Receive	<i>l</i>	<i>l</i>	<i>l</i>	<i>l</i>	<i>l</i>	<i>l</i>	<i>l</i>	<i>l</i>	
Set Shaft	Send	0	0	0	0	0	1	0	<i>s</i>	Set counter for shaft <i>s</i> to <i>hhhhhhhh llllll</i>
	Receive	<i>h</i>	<i>h</i>	<i>h</i>	<i>h</i>	<i>h</i>	<i>h</i>	<i>h</i>	<i>h</i>	
	Receive	<i>l</i>	<i>l</i>	<i>l</i>	<i>l</i>	<i>l</i>	<i>l</i>	<i>l</i>	<i>l</i>	
Set Shaft Low	Send	0	0	0	0	0	1	1	<i>s</i>	Set low 8-bits for shaft <i>s</i> to <i>lllllll</i>
	Receive	<i>l</i>	<i>l</i>	<i>l</i>	<i>l</i>	<i>l</i>	<i>l</i>	<i>l</i>	<i>l</i>	
Increment Shaft	Send	0	0	0	0	1	0	0	<i>s</i>	Increment counter for shaft <i>s</i>
Decrement Shaft	Send	0	0	0	0	1	0	1	<i>s</i>	Decrement counter for shaft <i>s</i>
Clear Shaft	Send	0	0	0	0	1	1	0	<i>s</i>	Clear counter for shaft <i>s</i>
Set High Threshold	Send	0	0	0	1	0	0	0	<i>s</i>	Set high threshold for shaft <i>s</i> to <i>hhhhhhhh llllll</i> (default 01111111 11111111)
	Send	<i>h</i>	<i>h</i>	<i>h</i>	<i>h</i>	<i>h</i>	<i>h</i>	<i>h</i>	<i>h</i>	
	Send	<i>l</i>	<i>l</i>	<i>l</i>	<i>l</i>	<i>l</i>	<i>l</i>	<i>l</i>	<i>l</i>	
Set Low Threshold	Send	0	0	0	1	0	0	1	<i>s</i>	Set low threshold for shaft <i>s</i> to <i>hhhhhhhh llllll</i> (default 10000000 00000000)
	Send	<i>h</i>	<i>h</i>	<i>h</i>	<i>h</i>	<i>h</i>	<i>h</i>	<i>h</i>	<i>h</i>	
	Send	<i>l</i>	<i>l</i>	<i>l</i>	<i>l</i>	<i>l</i>	<i>l</i>	<i>l</i>	<i>l</i>	
Read High Threshold	Send	0	0	0	1	0	1	0	<i>s</i>	Read and return high threshold for shaft <i>s</i> as <i>hhhhhhhh llllll</i>
	Receive	<i>h</i>	<i>h</i>	<i>h</i>	<i>h</i>	<i>h</i>	<i>h</i>	<i>h</i>	<i>h</i>	
	Receive	<i>l</i>	<i>l</i>	<i>l</i>	<i>l</i>	<i>l</i>	<i>l</i>	<i>l</i>	<i>l</i>	
Read Low Threshold	Send	0	0	0	1	0	1	1	<i>s</i>	Read and return high threshold for shaft <i>s</i> as <i>hhhhhhhh llllll</i>
	Receive	<i>h</i>	<i>h</i>	<i>h</i>	<i>h</i>	<i>h</i>	<i>h</i>	<i>h</i>	<i>h</i>	
	Receive	<i>l</i>	<i>l</i>	<i>l</i>	<i>l</i>	<i>l</i>	<i>l</i>	<i>l</i>	<i>l</i>	
Read Interrupt Bits	Send	1	1	1	0	1	<i>c</i>	<i>c</i>	<i>c</i>	Read interrupt enable bit <i>e</i> and interrupt pending bit <i>p</i> .
	Receive	0	0	0	0	0	0	<i>e</i>	<i>p</i>	
Set Interrupt Bits	Send	1	1	1	1	0	<i>c</i>	<i>c</i>	<i>c</i>	Execute <u>set interrupt bits</u> command <i>ccc</i>
Shared Commands	Send	1	1	1	1	1	<i>c</i>	<i>c</i>	<i>c</i>	Execute <u>common shared command</u> <i>ccc</i>

## 3. Hardware

The hardware consists of a circuit schematic and a printed circuit board.

### 3.1 Circuit Schematic

The schematic for the Rotation2 Module is shown below:



The parts list kept in a separate file -- [rotation2.ptl](#).

### 3.2 Printed Circuit Board

The printed circuit board files are listed below:

[rotation2\\_back.png](#)

The solder side layer.

[rotation2\\_front.png](#)

The component side layer.

[rotation2\\_artwork.png](#)

The artwork layer.

[rotation2.gbl](#)

The RS-274X "Gerber" back (solder side) layer.

[rotation2.gtl](#)

The RS-274X "Gerber" top (component side) layer.

[rotation2.gal](#)

The RS-274X "Gerber" artwork layer.

rotation2.drl

The "Excellon" NC drill file.

rotation2.tol

The "Excellon" tool rack file.

## 4. Software

The Rotation2 software is available as one of:

rotation2.ucl

The  $\mu$ CL source file.

rotation2.asm

The resulting human readable PIC assembly file.

rotation2.lst

The resulting human readable PIC listing file.

rotation2.hex

The resulting Intel<sup>®</sup> Hex file.

## 5. Issues

Any fabrication issues are listed here.

---

Copyright (c) 2000–2004 by Wayne C. Gramlich. All rights reserved.