

This is the Revision D version of the [Switch8 RoboBrix](#). The status of this project is [finished](#).

Switch8 RoboBrix (Revision D)

Table of Contents

This document is also available as a [PDF](#) document.

- [1. Introduction](#)
- [2. Programming](#)
- [3. Hardware](#)
 - ◆ [3.1 Circuit Schematic](#)
 - ◆ [3.2 Printed Circuit Board](#)
- [4. Software](#)
- [5. Issues](#)

1. Introduction

The Switch8 RoboBrix allows you to read up to 8 digital inputs. An interrupt can be generated on the states of selected inputs.

2. Programming

The basic operation is to send a query to the Switch8 RoboBrix to read the 4 bits of data. The programmer can download a complement mask to cause any of the bits to be complemented prior to reading.

The Switch8 RoboBrix supports [RoboBrix Interrupt Protocol](#). The interrupt pending bit is set whenever the formula:

$$L \& (\sim I) \mid H \& I \mid R \& (\sim P) \& I \mid F \& P \& (\sim I)$$

is non-zero, where:

- I is the current input bits XOR'ed with the complement mask (C)
- P is the previous value of I
- L is the low mask
- H is the high mask
- R is the raising mask
- F is the falling mask

and

- \sim is bit-wise complement
- \mid is bit-wise OR
- $\&$ is bit-wise AND

Once the interrupt pending bit is set, it must be explicitly cleared by the user.

Switch8 RoboBrix (Revision D)

The Switch8 RoboBrix supports both the standard shared commands and the shared interrupt commands in addition to the following commands:

Command	Send/ Receive	Byte Value								Discussion
		7	6	5	4	3	2	1	0	
Read Inputs	Send	0	0	0	0	0	0	0	0	Return input values <i>abcdefgh</i> (after XOR'ing with complement mask)
	Receive	<i>a</i>	<i>b</i>	<i>c</i>	<i>d</i>	<i>e</i>	<i>f</i>	<i>g</i>	<i>h</i>	
Read Complement Mask	Send	0	0	0	0	0	0	0	1	Return complement mask <i>ccccccc</i>
	Receive	<i>c</i>	<i>c</i>	<i>c</i>	<i>c</i>	<i>c</i>	<i>c</i>	<i>c</i>	<i>c</i>	
Read Low Mask	Send	0	0	0	0	0	0	1	0	Return low mask <i>lllllll</i>
	Receive	<i>l</i>	<i>l</i>	<i>l</i>	<i>l</i>	<i>l</i>	<i>l</i>	<i>l</i>	<i>l</i>	
Read High Mask	Send	0	0	0	0	0	0	1	1	Return high mask <i>hhhhhhh</i>
	Receive	<i>h</i>	<i>h</i>	<i>h</i>	<i>h</i>	<i>h</i>	<i>h</i>	<i>h</i>	<i>h</i>	
Read Raising Mask	Send	0	0	0	0	0	1	0	0	Return raising mask <i>rrrrrrr</i>
	Receive	<i>r</i>	<i>r</i>	<i>r</i>	<i>r</i>	<i>r</i>	<i>r</i>	<i>r</i>	<i>r</i>	
Read Falling Mask	Send	0	0	0	0	0	1	0	1	Return falling mask <i>ffffff</i>
	Receive	<i>f</i>	<i>f</i>	<i>f</i>	<i>f</i>	<i>f</i>	<i>f</i>	<i>f</i>	<i>f</i>	
Read Raw	Send	0	0	0	0	1	0	0	0	Return raw data <i>abcd</i> (without XOR'ing with complement mask)
	Receive	<i>a</i>	<i>b</i>	<i>c</i>	<i>d</i>	<i>e</i>	<i>f</i>	<i>g</i>	<i>h</i>	
Set Complement Mask	Send	0	0	0	0	1	0	0	1	Set complement mask to <i>ccccccc</i>
	Send	<i>c</i>	<i>c</i>	<i>c</i>	<i>c</i>	<i>c</i>	<i>c</i>	<i>c</i>	<i>c</i>	
Set Low Mask	Send	0	0	0	0	1	0	1	0	Set low mask to <i>lllllll</i>
	Send	<i>l</i>	<i>l</i>	<i>l</i>	<i>l</i>	<i>l</i>	<i>l</i>	<i>l</i>	<i>l</i>	
Set High Mask	Send	0	0	0	0	1	0	1	1	Set high mask to <i>hhhhhhh</i>
	Send	<i>h</i>	<i>h</i>	<i>h</i>	<i>h</i>	<i>h</i>	<i>h</i>	<i>h</i>	<i>h</i>	
Set Raising Mask	Send	0	0	0	0	1	1	0	0	Set raising mask to <i>rrrrrrr</i>
	Send	<i>r</i>	<i>r</i>	<i>r</i>	<i>r</i>	<i>r</i>	<i>r</i>	<i>r</i>	<i>r</i>	
Set Falling Mask	Send	0	0	0	0	1	1	0	1	Set falling mask to <i>ffffff</i>
	Send	<i>f</i>	<i>f</i>	<i>f</i>	<i>f</i>	<i>f</i>	<i>f</i>	<i>f</i>	<i>f</i>	
Read Interrupt Bits	Send	1	1	1	0	1	1	1	1	Return the interrupt pending bit <i>p</i> and the interrupt enable bit <i>e</i> .
	Receive	0	0	0	0	0	0	<i>e</i>	<i>p</i>	
<u>Set Interrupt Commands</u>	Send	1	1	1	1	0	<i>c</i>	<i>c</i>	<i>c</i>	Set Interrupt Command <i>ccc</i> .
<u>Shared Commands</u>	Send	1	1	1	1	1	<i>c</i>	<i>c</i>	<i>c</i>	Execute Shared Command <i>ccc</i> .

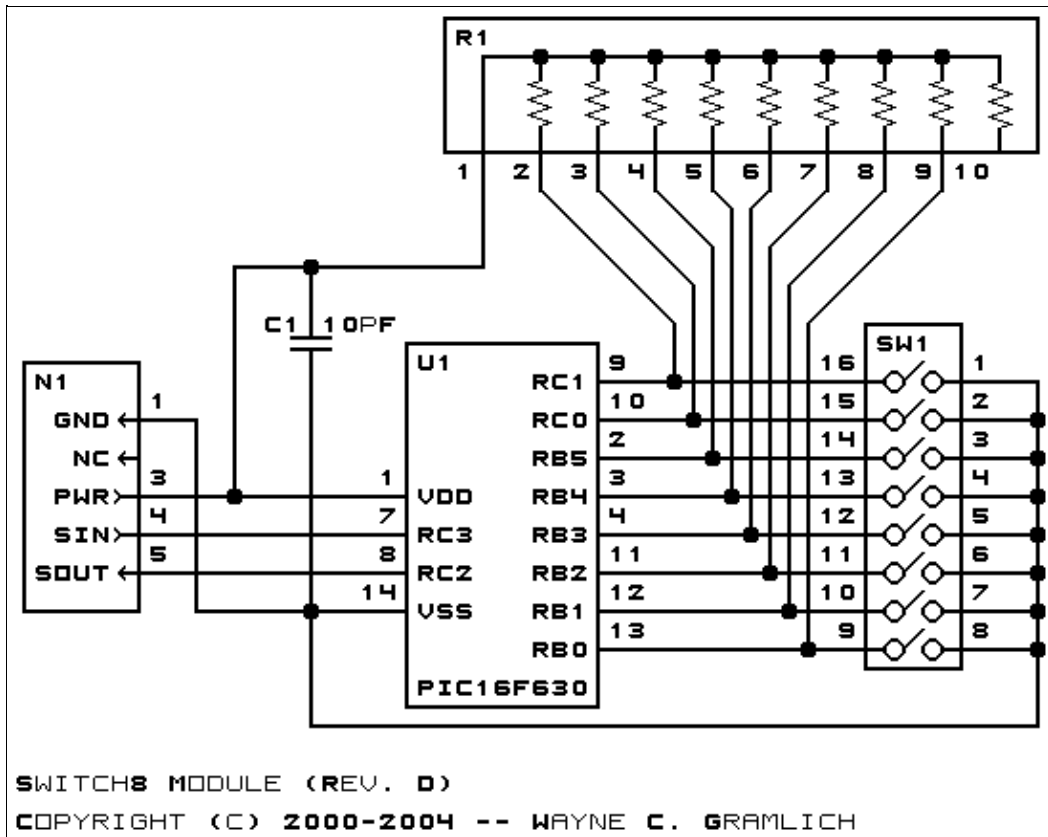
3. Hardware

The hardware consists of a circuit schematic and a printed circuit board.

3.1 Circuit Schematic

The schematic for the Switch8 RoboBrix is shown below:

Switch8 RoboBrix (Revision D)



The parts list kept in a separate file -- [switch8.ptl](#).

3.2 Printed Circuit Board

The printed circuit board files are listed below:

[switch8_back.png](#)

The solder side layer.

[switch8_front.png](#)

The component side layer.

[switch8_artwork.png](#)

The artwork layer.

[switch8.gbl](#)

The RS-274X "Gerber" back (solder side) layer.

[switch8.gtl](#)

The RS-274X "Gerber" top (component side) layer.

[switch8.gal](#)

The RS-274X "Gerber" artwork layer.

[switch8.drl](#)

The "Excellon" NC drill file.

[switch8.tol](#)

The "Excellon" tool rack file.

4. Software

The Switch8 software is available as one of:

switch8.ucl

The μ CL source file.

switch8.asm

The resulting human readable PIC assembly file.

switch8.lst

The resulting human readable PIC listing file.

switch8.hex

The resulting Intel[®] Hex file.

5. Issues

Any fabrication issues are listed here.

Copyright (c) 2000–2002 by Wayne C. Gramlich. All rights reserved.